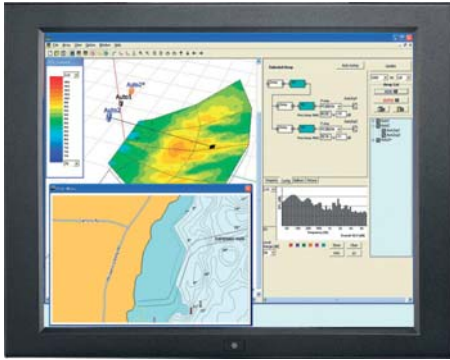


HAP-17

NEMA 4 / IP65 front protection



Display Benefits

- ▶ 17" LCD with high brightness 1000 cd/m²
- ▶ Green LED-backlit panel technology
- ▶ Rugged construction against external impact
- ▶ 6mm aluminum front bezel with protective glass & water proof sealed gasket

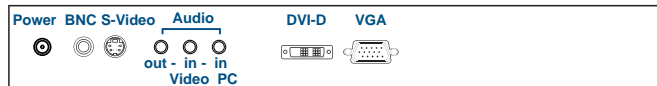
Options

- MCS Multi-display control solution
- Projected Capacitive (10-point touch)
- Resistive / Capacitive (1-point touch)
- S-Video + Composite (BNC) or Audio input
- HDMI or DVI-D (either one for AV2.2 upgrade)
- MIL-type or lockable connector
- DC power : 24V / 48V / 125V / 250V
- Quad display for CCTV
- TV - Analog
- Auto / switch dimming

Basic I/O



AV2.2D upgrade I/O



AV2.2H upgrade I/O



Specifications

• LCD Panel

- Size (diagonal) : 17" TFT
- Max resolution : 1280 x 1024
- Brightness (cd/m²) : 1000
- Backlight : LED
- Colors : 16.7 M
- Contrast ratio (typ) : 1000 : 1
- Viewing angle (H/V) : 170° x 160°
- Active area (mm) : 338 x 270
- MTBF (hrs) : 50,000
- Video input : VGA or DVI-D

• Speaker :

Built-in Dual Stereo Speakers 2W x 2 (Bundled with AV2.2 upgrade)

• Power Input :

Auto-sensing 100 to 240VAC, 50 / 60Hz

• Power Consumption

- Screen on : Max. 35W
- Power saving mode : Max. 4W
- Power button on : Max. 1W

• Environmental

- Operating temperature : 0 to 55°C degree
- Storage temperature : -20 to 60°C degree
- Operating humidity : 20~90%, non-condensing
- Storage humidity : 5 ~90%, non-condensing
- Operating altitude : 16,000 ft
- Non-operating altitude : 40,000 ft
- Shock : 10G acceleration (11ms duration)
- Vibration : 5~500Hz 1G RMS random vibration

• Casing Color :

Black (RAL 9005)

• Mounting :

Panel mount / VESA mount

• Regulatory

- Safety : FCC & CE certified
- Environmental : RoHS2 & REACH compliant

• Weight

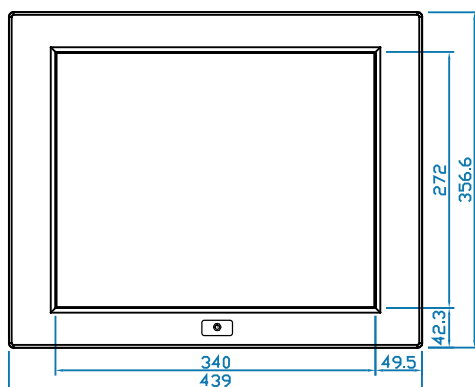
- Net : 6.6 kgs / 14.5 lbs
- Gross : 9.2 kgs / 20.2 lbs

• Dimensions

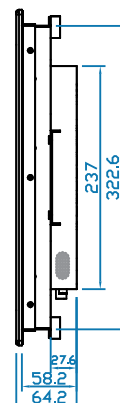
- Product : 439 x 64.2 x 356.6 mm / 17.3 x 2.5 x 14 inch
- Packing : 615 x 113 x 523 mm / 24.2 x 4.4 x 20.6 inch

Diagrams (mm)

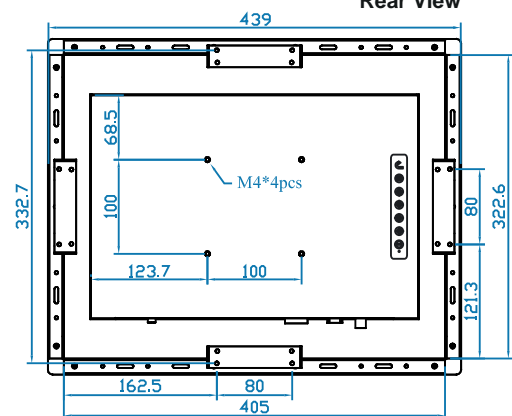
Front View



Side View



Rear View



**Dimension will be changed if Multi-touch required