

Workstation Industriali

Serie GOI-201A - Chassis per SBC 1.3



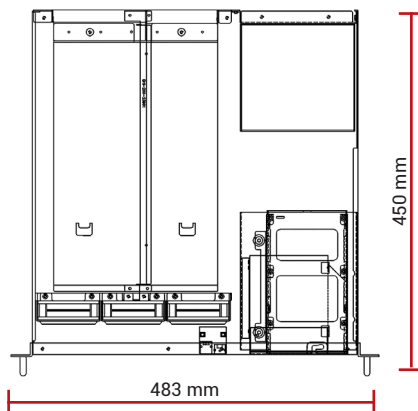
Workstation Industriale 2U

Doppio HDD estraibile SATA/SAS
e HDD 2.5" interno

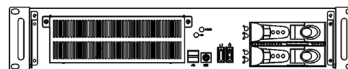
Configurato su richiesta

Burn in climatico su ogni apparato

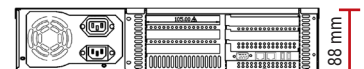
Test Report di collaudo



Fronte



Retro



Chassis

IP-290- Rev.19

Dimensioni	Chassis 2U - 483 x 88 x 450 mm
Montaggio	Rack 19"
Materiale	Acciaio pre-zincato
Architettura	Backplane passivo PICMG 1.3
Varianti	GOI-201A-EBP: Chassis 2U per backplane passivo PICMG 1.3, card cage per EBP-D5E2, colore nero
Drives	1 x HDD 2.5" interno; 2 x HDD 3.5" SATA/SAS removibili
Ventilazione	3 x ventole 80mm (= 42.5 CFM cad.)
Filtri	1 filtro per l'aria lavabile
Led sul fronte	LED per Power e funzionalità HDD
Pulsanti	Power On/Off e System Reset
Fronte	Porta con viti imperdibili connettore USB e PS2
Retro	Alloggiamento per 6 bracket full size
Colore	Nero o altri colori su richiesta
Shock	15G durata 11ms - EN 60068-2-27
Vibrazioni	10-150Hz: 1G - EN 60068-2-6
Umidità	10 - 95% non condensata
Temperatura	Operativa 0°C... +50°C Storage -20°C... +70°C

Complementi

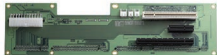
Storage	<ul style="list-style-type: none"> Dischi interni HDD / SSD / M.2 Cassetti estraibili singoli o multipli per HDD / SSD Soluzioni SATA / SAS
Media	<ul style="list-style-type: none"> Masterizzatore DVD Tastiera beige/nera italiana/inglese Mouse ottico
Schede I/O	<ul style="list-style-type: none"> Ethernet Server Adapter GPGPU / Schede Video Schede Multi-Head Schede I/O Analogiche e Digitali Schede FPGA Schede MULTISERIALI Frame Grabber MIL-1553 / ARINC 429 / ARINC 418
Guide	Guide telescopiche per montaggio a rack
Sistemi Operativi	<ul style="list-style-type: none"> Windows® versioni Enterprise / Embedded Windows® versioni Server Linux

Single Board



	ROBO-8115VG2AR	ROBO-8113VG2AR
CPU Preferred	<ul style="list-style-type: none"> • W-1290E: 10C 3.5 GHz • W-1270E: 8C 3.4 GHz • W-1250: 6C 3.3 GHz • W-1250P: 6C 4.1 GHz • W-1290: 10C 3.2 GHz • W-1290P: 10C 	<ul style="list-style-type: none"> • E3-1275V5: 4C 3.6GHz • E3-1225V5: 4C 3.3GHz • i3-6100-3G7: 2C 3.7GHz
Chipset	Intel W480E	Intel C236
RAM	DDR4 2666 SDRAM 4x DIMM, max 128GB	DDR4 - 2133/1866, 2 x DIMM, max.32GB w/ECC
Graphics	Triple independent displays by VGA on bracket (1920x1200 @ 60Hz) DVI-I on bracket (1920x1200 @ 60Hz) (VGA + DVI-D on bracket by DVI-I port) HDMI on board (4096x2160 @ 30Hz)	VGA (1920 x 1200 @ 60Hz) DVI-D (1920 x 1200 @ 60Hz) HDMI (4096 x 2160 @ 24Hz)
Ethernet	2 GbE	2 GbE
SATA ports	5 x SATA 600 (support RAID 0, 1, 5, 10)	6 x SATA 600 (support RAID 0, 1, 5, 10)
M.2 slots	1x M.2 Type M 2280 (on bottom side)	-
USB	4x USB 2.0 ports 4x USB 3.2 Gen 2 ports on board 2x USB 3.2 Gen 2 ports on bracket	10 x USB 3.0 / 2 x USB 2.0
COM	2x RS232 2x RS-232/422/485 selectable	2 x RS232 2 x RS232/422/485
KB/MS	1x 10 pin box header for external	1 x internal pin header
Other	Audio, on board programmable Digital I/O	Audio, PS/2
TPM	Yes	-
I/O Bracket	2 x USB 3.2, 2x GbE, 1 x DVI-I	2 x USB, 2 x GbE, 1 x DVI-I
Note	-	-

Backplane



EBP-D5E2

1 x PICMG CPU, 1 x PCI-E x16,
1 x PCI-E x4, 2 x PCI

Alimentatori

AC



EN 62368

FSP600-80PSA
PS2 Single 600W

Output					
+3.3V	+5V	+12V	-5V	-12V	+5VSB
25A	25A	16A	0.1A	0.5A	4A
Input 90~264VAC Full Range					
MTBF 100.000 h					
Dimensioni 150x86x140 mm					

AC



EN 62368

Z-HG2-5600V
PS2 Single 600W

Output					
+3.3V	+5V	+12V	-5V	-12V	+5VSB
25A	25A	45A	-	0.8A	3.5A
Input 100~240VAC Full Range					
MTBF 171.848 h					
Dimensioni 150x86x140 mm					

AC



EN 62368

Z-MRPS2-500-2AC
PS2 Redundant 500W

Output					
+3.3V	+5V	+12V	-5V	-12V	+5VSB
20A	20A	40A	0.3A	0.5A	3A
Input 90V~264VAC					
MTBF >100.000 h					
Dimensioni 150x84x190 mm					

DC



EN 62368

BES-540C
PS2 Single 400W 24VDC

Output					
+3.3V	+5V	+12V	-5V	-12V	+5VSB
25A	25A	30A	-	0.8A	3.5A
Input 20VDC...36VDC					
MTBF 121.000 h					
Dimensioni 150x86x140 mm					

DC



Z-BMRW-5360V4V
PS2 Redundant 360W 24VDC

Output					
+3.3V	+5V	+12V	-5V	-12V	+5VSB
25A	25A	28A	-	0.8A	3.5A
Input 18VDC...36VDC					
MTBF 125.331 h					
Dimensioni 150x86x185 mm					

DC



EN 62368

BES-540T
PS2 Single 400W -48VDC

Output					
+3.3V	+5V	+12V	-5V	-12V	+5VSB
25A	25A	32A	-	0.8A	3.5A
Input -36VDC...-72VDC					
MTBF 143.878 h					
Dimensioni 150x86x140 mm					

DC



Z-DMRW-5600V4V
PS2 Redundant 600W -48VDC

Output					
+3.3V	+5V	+12V	-5V	-12V	+5VSB
25A	25A	45A	-	0.8A	3.5A
Input -36VDC...-72VDC					
MTBF 120.000 h					
Dimensioni 150x86x185 mm					